



OH Line Hardware

Roller Suspension Clamp

Description:

Multi purpose with many applications

The Roller Suspension Clamp can be used as both a mounting roller and a suspension clamp for LV aerial bundled cable (LVABC). It is also ideal for self-supporting optical fibre cable (ADSS) as well as insulated medium voltage cables (HVCC, HVCCT and HVABC).

Only two roller suspension clamps cover a wide cable range – LVABC from 2 x 25mm² to 4 x 150mm².

A long cable pull through many roller suspension clamps at various line angles is efficient and cost-effective.

Easy Operation

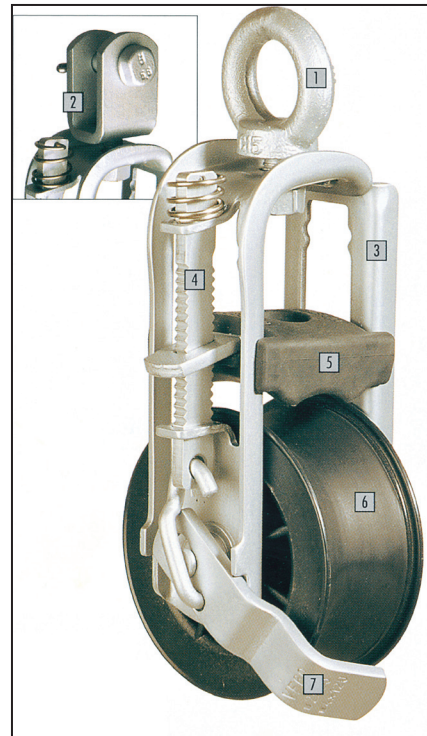
The roller suspension clamp was designed for long life in regular use as a stringing roller only, but has the added clamping feature of a suspension clamp.

The roller sheave has a soft central layer of elastomer to prevent damage to the cable sheath, even at large angles and high tensions. A large sheave aperture, well-rounded side straps, mobile suspension fitting and high-quality bearing allows the pulling eye, stocking, cable and joints to run easily through the roller suspension clamp.

One side strap can be released to allow the cable to be inserted into the clamp from the side if required. The removeable side strap is fixed to the roller shaft by a split pin captive in the strap.

The keeper has an elastomer pressure pad to prevent clamping damage to the cable surface. The keeper is captive in the roller suspension clamp even with one side strap removed, and is raised or lowered by the adjustable ratchet bar.

By simply by rotating the operating lever, its asymmetric mechanism pulls the ratchet bar down, forcing the keeper down to firmly clamp the cable onto the roller.

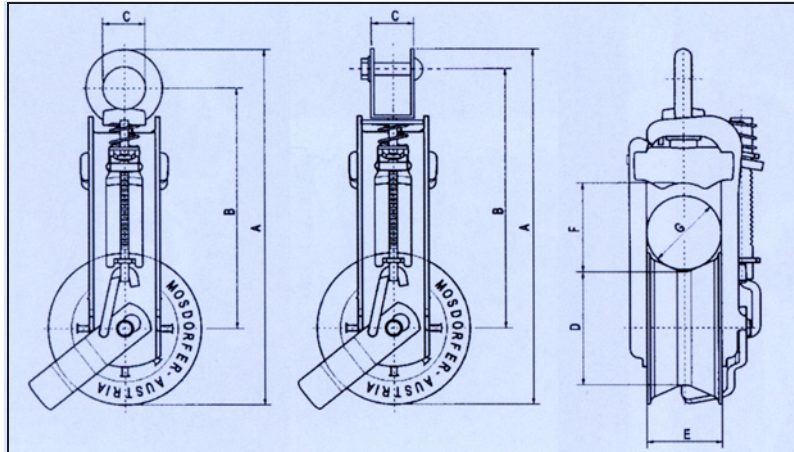


1. Rotating eye
2. Rotating clevis (alternative)
3. Removable strap
4. Clamping device
5. Keeper
6. Roller with elastomer centre
7. Operating lever



OH Line Hardware

Roller Suspension Clamp



CODE	CROSS SECTION mm ²	BREAKING LOAD kN	SLIPPING LOAD N	DIMENSIONS							WEIGHT kg	TYPE
				A	B	C	D	E	F	G		
5170.04	2x25/4 x 95	35	500	255	175	30	80	52	63	52	1.5	eye
5170.05	4x95/4 x 150	35	500	285	205	30	80	65	85	65	1.8	eye
5170.06	2x25/4 x 95	35	500	265	190	22	80	52	63	52	1.5	clevis

Features:

- Mounting roller & suspension clamp - all in one
- Wide cable range, line angles up to 60° or 90°
- Suited for high tensions & large angles
- Used for all types of insulated cables
- Simple, one-handed clamping operation – no tools required
- Side entry to roller if required
- All parts captive
- Wide sheave aperture for cable & pulling fittings – easy running
- Cost-effective for stringing and clamping in