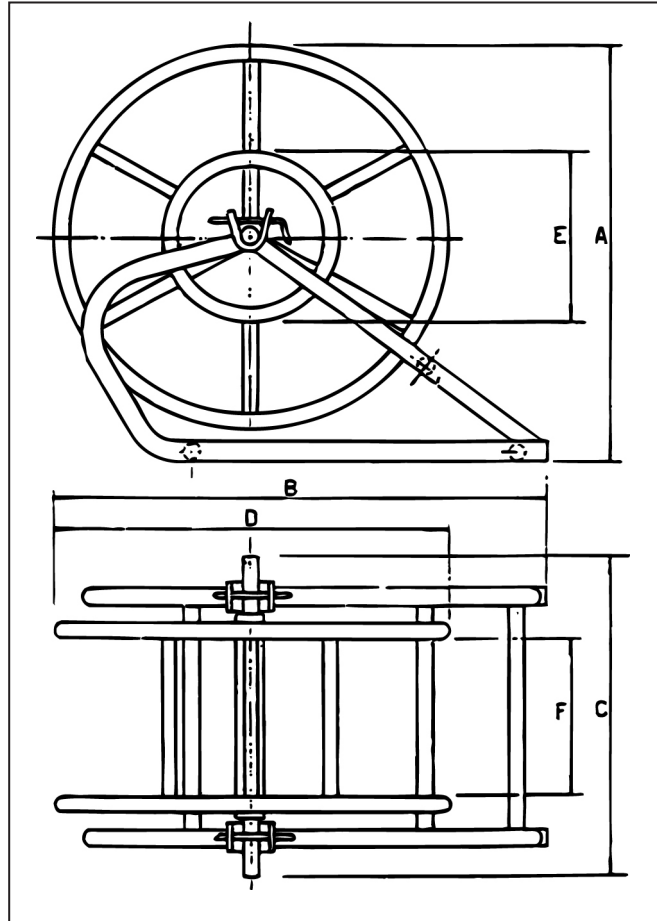




## Rope Reels

### Reel and Tilting Stand



#### Description:

Painted steel tube stand and reel. Tilting stand for easy loading and unloading of reel. Suitable for coiling pilot and pulling ropes.

CODE	DIMENSIONS mm						WEIGHT kg
	A	B	C	D	E	F	
2603.1	490	550	530	400	100	300	15
2603.2	750	800	550	680	280	300	30
2603.3	1000	1200	730	920	390	380	48