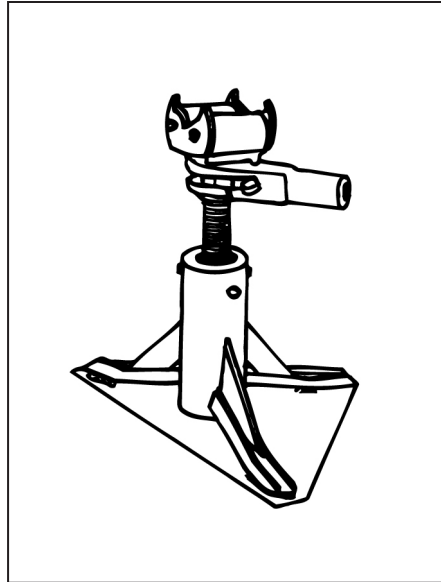




## Cable Drum Stands

### Ratchet Handle



#### Description:

Painted steel frame and flat plate base. Supplied in pairs without shaft. Ratchet handle operated worm screw to raise and lower drum shaft. Drum shaft rotates on two heavy duty bearing rollers. For cable drum shafts and cones refer to code 2604S.15042 - 2604S.25076 and 2604A, B and C.

CODE	HEIGHT OF SHAFT mm		MAXIMUM DRUM WEIGHT/PAIR kg	BASE DIMENSIONS kg	WEIGHT kg
	min	max			
2592.2	400	600	2000	500 x 340	40
2592.3	700	1000	4000	700 x 500	70
2592.4	1100	1500	10000	1000 x 650	160