



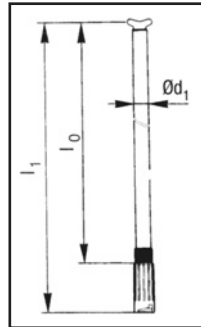
## HV Test Equipment

### Probes for Phase Comparator Type PHV

**Description:**

Standard probes for use with basic phase comparator type PHV. (Two of each probe to be used with each set of PHV equipment).

**Code No. 759 300**



CODE	TYPE	NOMINAL VOLTAGE kV	COLOUR	DIMENSIONS mm			WEIGHT g
				I <sub>1</sub>	I <sub>0</sub>	d <sub>1</sub>	
759 603	V 3	3	grey	381	316	20	225
759 605	V 6	5...6	white	681	616	20	360
759 610	V10	10	yellow	681	616	20	360
759 620	V20	15...20	green	681	616	20	360
759 630	V30	25...36	grey	681	616	20	360

*Special versions: Versions for other nominal voltages and special switchgear available on request.*

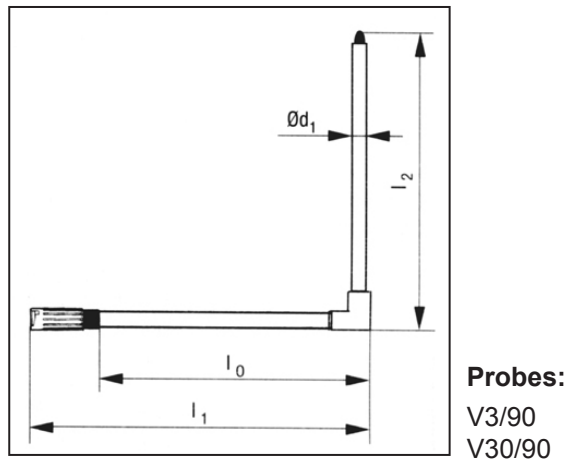
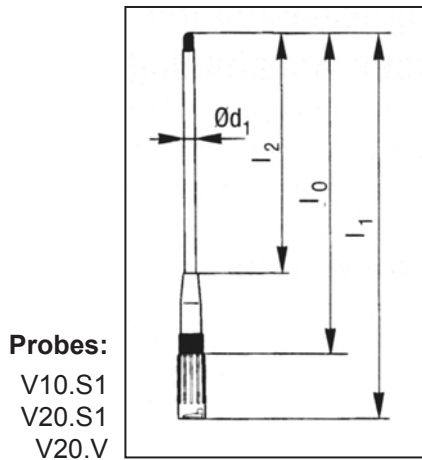


# HV Test Equipment

## Probes for Phase Comparator Type PHV

**Description:**

Special purpose probes for use in type-tested factory-assembled switchgear with contacts which are not accessible using standard probes eg.  
 narrow orifices with deep contacts  
 horizontally racked switchgear (contacts one above the other)  
 vertically racked switchgear (bottom entry contacts)



CODE	TYPE	NOMINAL VOLTAGE kV	COLOUR	DIMENSIONS mm				WEIGHT g
				l <sub>1</sub>	l <sub>2</sub>	l <sub>0</sub>	d <sub>1</sub>	
For narrow orifices, deep contacts								
759 111	V10.S1	10	black	415	270	330	11	55
759 121	V20.S1	20	black	585	440	520	11	65
For horizontally-racked switchgear (contacts one above the other)								
759 621	V20.V	20	grey	885	865	820	20	1150
For vertically-racked switchgear (bottom entry contacts)								
759 604	V 3/90	3	grey	359	364	274	20	375
759 608	V 6/90	5...6	white	359	364	274	20	375
759 611	V10/90	10	yellow	359	364	274	20	375
759 622	V20/90	15...20	green	359	364	274	20	375
759 633	V30/90	25...36	grey	359	364	274	20	375