

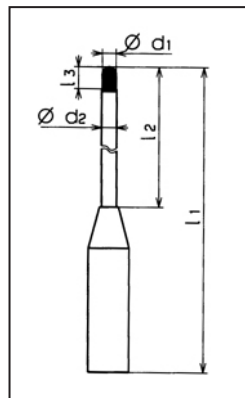


Detectors for HV Systems

Probe Extensions for Voltage Detectors Type PHE

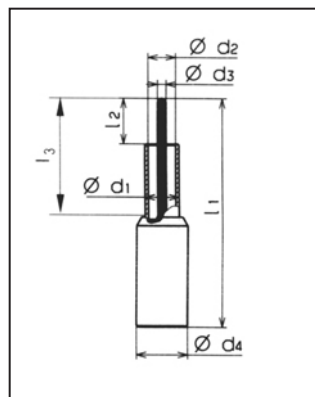
Description:

M8 thread for screwing onto the test probes of voltage detectors types PHE, PHEIII and PHE III/K test head. Used for switchgear with narrow openings.



Code: 766 916
For Calor Emag, Isopond, Krone

CODE	NOMINAL VOLTAGE kV	DIMENSIONS mm					WEIGHT g
		I1	I2	I3	d1	d2	
766 916	3...20	423	303	16	10	11	120



Code: 766 919
For Hazemeyer Magnefix 10kV

CODE	NOMINAL VOLTAGE kV	DIMENSIONS mm							WEIGHT kg
		I1	I2	I3	d1	d2	d3	d4	
766 919	3...20	135	27	71	20	16.2	5	30	0.160

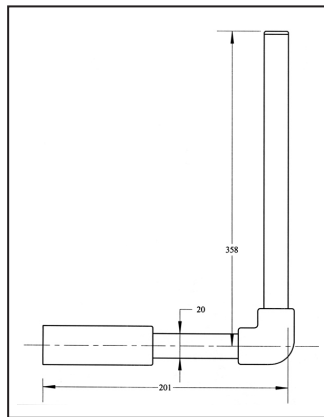


Detectors for HV Systems

Probe Extensions for Voltage Detectors Type PHE

Description:

M8 threaded right angled extension for screwing onto test probes of voltage detectors types PHE, PHEIII and PHEIII/K test head. Used for vertical switchgear artifices.



Code: 766 950
For rightangle entry into switchgear

CODE	NOMINAL VOLTAGE kV	DIMENSIONS mm				WEIGHT g
		l1	l2	d1	d2	
766 950	3...20	205	370	22	32	32