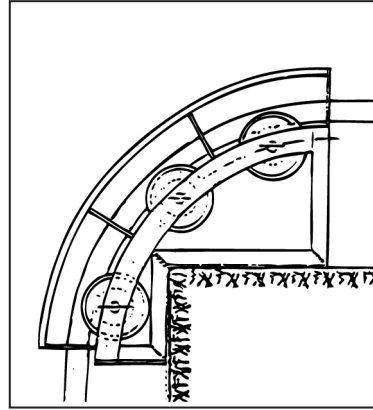
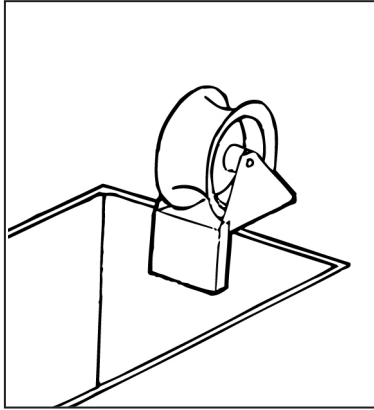




Cable Guides for Access Pits

Pit Edge Guide Rollers

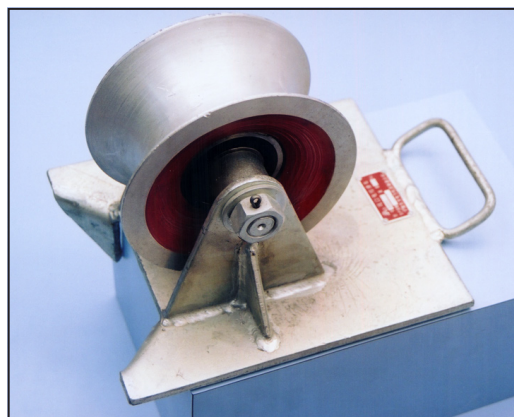


Description:

Galvanised steel frame. Two galvanized steel rollers with a groove width of 120mm mounted on ball bearings. Suitable for straight edges.

CODE	No OF ROLLERS	WEIGHT kg
2584.1	1	5
2584.3	3	19

Pit Edge Guide Roller



Description:

Galvanised steel frame. Galvanised steel roller with a groove width of 75mm mounted on ball bearings. Suitable for straight edge or corner of the pit.

Weight: 7.4kg

Code: 21281