

OH Line Hardware

Fuse Switch Disconnecter 160A, 400A



Description:

The Mosdorfer Fuse Switch Disconnecter protects and disconnects a LV network section or consumer. All switches have arc quenching chambers to allow online switching. It is designed for switching on full load, with cartridge fuses or with disconnecting blades, up to the rated current according to the technical data.

The Mosdorfer design provides complete flexibility of switch configuration. Single units of modular design can be linked in any multi-pole arrangement, from single-pole to four-pole. Multi-pole assemblies can be either ganged for simultaneous operation, or may be switched individually to replace a single fuse. The switches can be equipped with insulation-piercing terminals, V-terminals or cable lug palm terminals. An accessory is available for short circuiting and earthing a LV circuit.

Features:

- Modular system
 - Single-pole or ganged operation
 - Variety of terminals for cable connections
 - Mechanical fuse indicator with electrical test point
 - Fully weatherproof
 - Protected against electrical contact
 - Tested & certified to IEC 60947.3
 - Additional tests under rain, temperature, ozone and ice conditions
-



OH Line Hardware

Fuse Switch Disconnecter 160A, 400A

Operation of the Fuse Switch Disconnecter

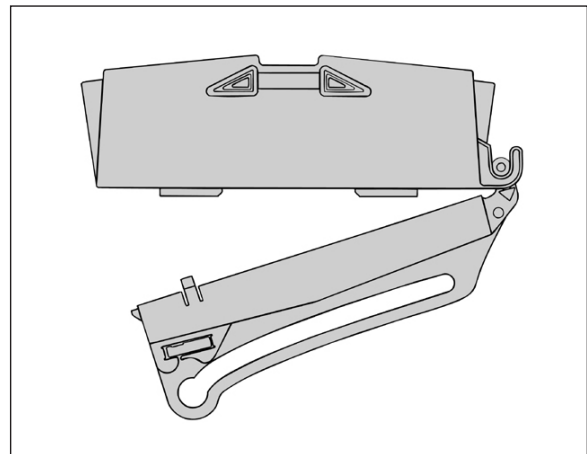
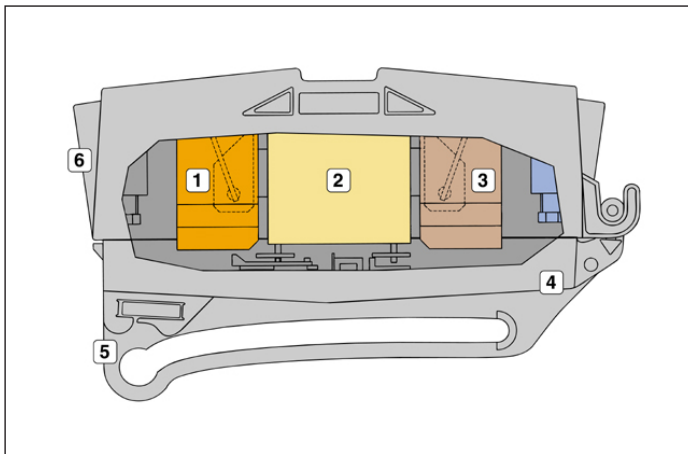
Designed for single or multi-pole operation, the switch fuse carrier can be easily opened and closed from the ground using a standard operating stick. No special adapters are required.

Fuse Carrier Removal

The switching-flap fuse carrier supplied for Australia/New Zealand can be safely removed with a standard operating stick. When held aloft the carrier is stable and will not fall from the stick. Easy to manoeuvre to replace the carrier from below.

Weight: 160A 3.2 kg (with bracket)
400A 5.8 kg (with bracket)

Codes: FS160A-P (piercing type)
FS160A-V (v terminal)
FS400A-P (piercing type)
FS400A-V (v terminal)



1. Arc quenching chambers
2. Fuse (or blade)
3. Terminals with fuse/blade contacts
4. Fuse carrier
5. Operating eye
6. Cable entry seal



OH Line Hardware

Fuse Switch Disconnecter 160A, 400A

Mechanical fuse indicator

Yellow indicator - no fuse or link is in position. An inspection hole enables electrical checking of the fuse.

Short-Circuit Devices

The number of shorting contacts corresponds to the number of fuse switch units.

Single or Double Terminals

One or two incoming and/or outgoing terminals in each switch unit.

Shear Head Terminal Screws

Metal shear heads available for terminal screws for accurate and secure tightening.

V-Terminal

The cable insulation must be removed before inserting into the terminal.

Insulation-Piercing Terminal

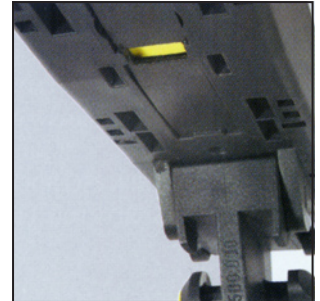
No removal of cable insulation is necessary.

Cable Lug terminal

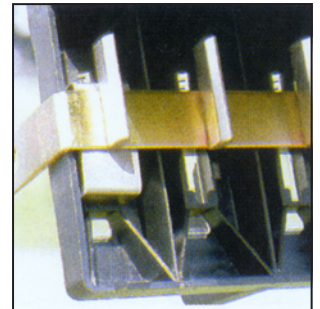
Cable compression lug is fitted and bolted to the terminal palm.

Cable Entry Seal

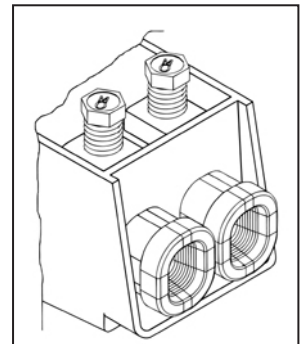
The cable entry seal gives weather protection and contact prevention. A new high-reliability seal prevents moisture entry into the cable end.



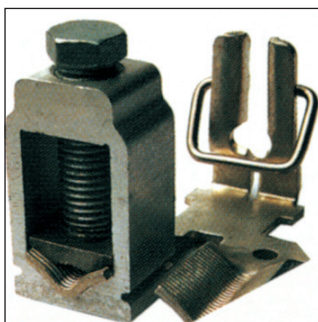
Mechanical fuse indicator



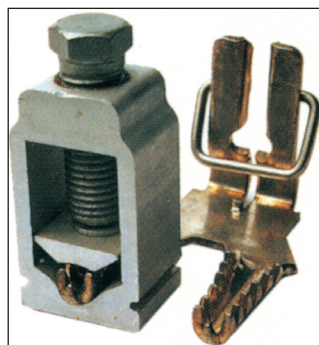
Short-Circuit Devices



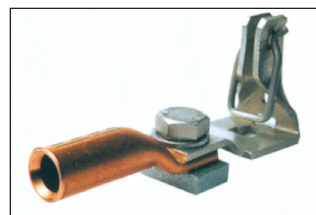
Shear Head Terminal Screws
High reliability seals



V-Terminal



Insulation-Piercing Terminal

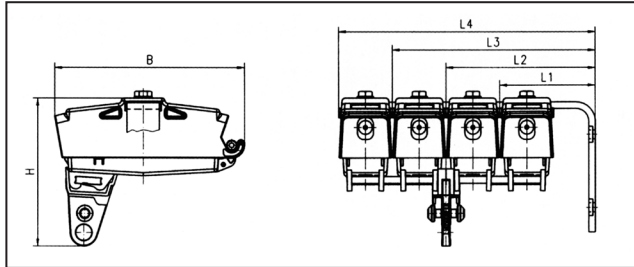


Cable Lug terminal



OH Line Hardware

Fuse Switch Disconnecter 160A, 400A



| Type | H | B | L1 | L2 | L3 | L4 |
|---------|-----|-----|-----|-----|-----|-----|
| LTS-00 | 180 | 235 | 119 | 186 | 253 | 320 |
| LTS-1-2 | 195 | 298 | 160 | 240 | 320 | 400 |

All dimensions in mm

Technical data ISO-LTS-00 - 160A

Rated current capacity I_N : 160 A (with fuses) or 250A (with blades)
 Rated making capacity: 5 x 3 I_N at 380 V
 Rated breaking capacity: 5 x 3 I_N at 380 V
 Rated insulation voltage U_I : 1000 V
 Working frequency f : 50 - 60 Hz
 Utilisation category according to IEC 60947:
 AC 21-B 660V cos ϕ 0, 95
 AC 22-B 500V cos ϕ 0, 65
 Terminals:
 Incoming: 2 x 16 mm² - 2 x 95 mm²
 Outgoing: 2 x 16 mm² - 2 x 95 mm²
 Suitable for aluminium and copper cables.
 NH fuse sizes: 00

Technical Data ISO-LTS-1-2 - 400 A

Rated current capacity I_N : 400 A (with fuses) or 630A (with blades)
 Rated making capacity: 5 x 3 I_N at 380 V
 Rated breaking capacity: 5 x 3 I_N at 380 V
 Rated insulation voltage U_I : 1000 V
 Working frequency f : 50 - 60 Hz
 Utilisation category according to IEC 60947:
 AC 21-B 500 V cos ϕ 0, 95
 AC 22-B 400 V cos ϕ 0, 80
 Terminals:
 Incoming: 2 x 50 mm² - 2 x 240 mm²
 Outgoing: 2 x 50 mm² - 2 x 240 mm²
 Suitable for aluminium and copper cables.
 NH fuse sizes: 1-2