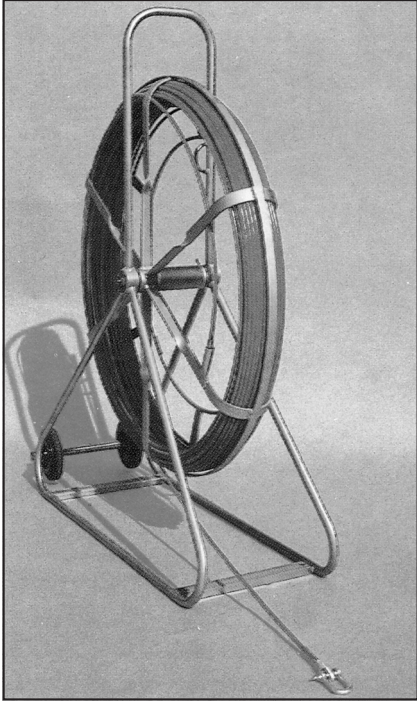
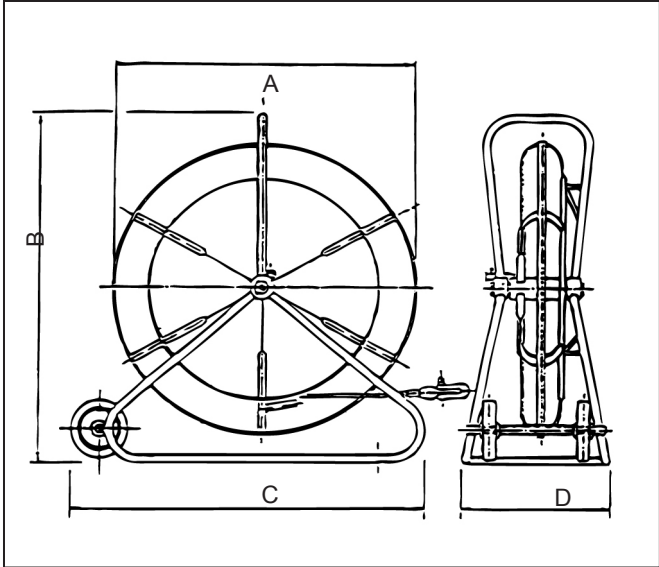




# Continuous Fibreglass Duct Rod

## Fibreglass Duct Rod on Stand



**Description:**

Galvanised steel frame with rubber wheels. Flexible non-conductive fibreglass rod covered with abrasion resistant plastic. Rod has M12 external threaded end fittings to attach tools and accessories. Supplied with aluminium pulling eye and D shackle. Dispensing or rewinding is accomplished by rotation of the rod cage. Cage is equipped with a brake.

CODE	LENGTH m	DIMENSIONS mm					WEIGHT kg
		Rod Ø	A	B	C	D	
2581CO8120	120	9	800	930	820	470	26