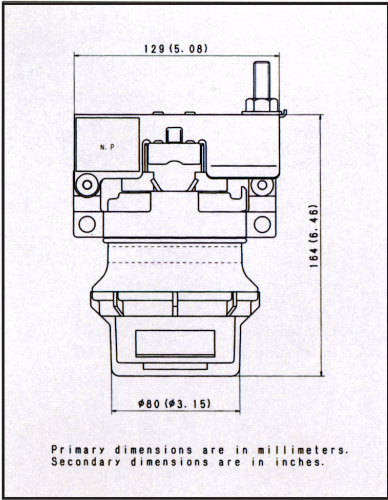
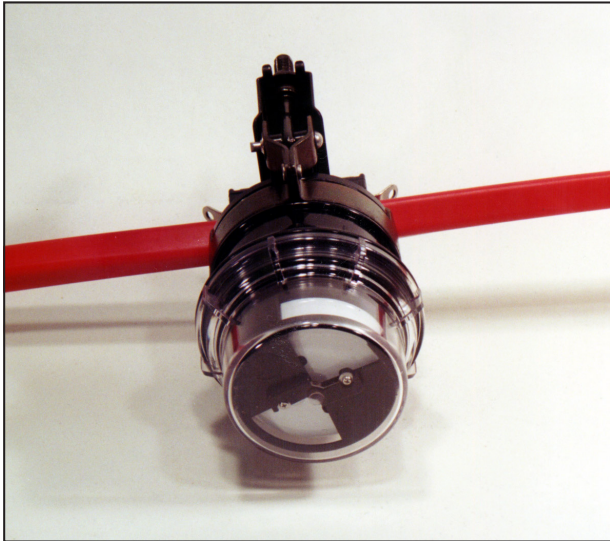




OH Line Fault Indication

Fault Locator



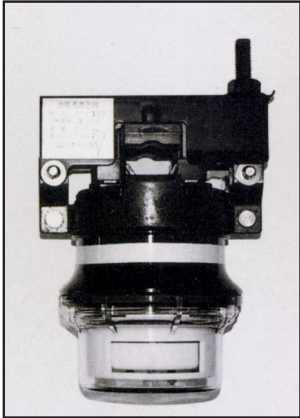
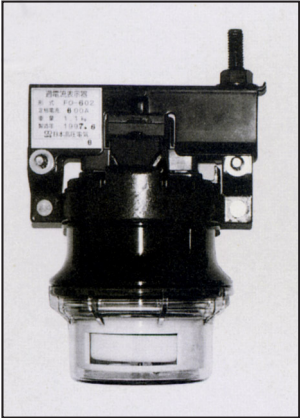
Description:

The Fault Locator is installed on a conductor of an overhead distribution line by live line methods. It detects the passage of overcurrent/short-circuit in the conductor and rotates a target for visual indication to a line patrol.

Features:

- Clear target which can be checked from the side or below
- Can be installed at an angle (up to 25°)
- Uses a ferrite core sensor

Type 1:
200A
500A

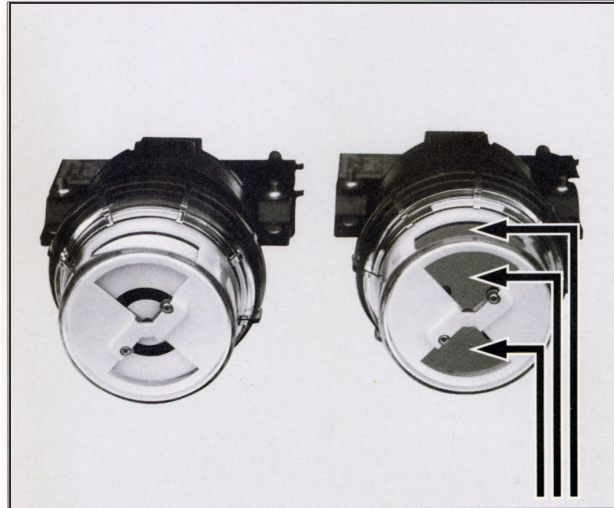


Type 2:
300A
600A



OH Line Fault Indication

Fault Locator



Not indicating

Indicating

Ratings:

Type 1: 200A, 500A

Line current to reset: > 2 A
Maximum overcurrent: 12.5kA
Frequency: 50Hz
Ambient air temperature: -20° to 40°C
Conductor diameter range: 9 to 20mm

Type 2: 300Amp, 600Amp

Rated current:	300A	600A
Minimum sensing current:	250±30A	550±40A
Reset:	2A current time and 5 hours(factory set)	
Maximum overcurrent:	12.5kA	
Frequency:	50Hz	
Ambient air temperature:	-20° to 40°C	
Conductor diameter range:	9 - 20mm	

Codes:

LFI200T1, LFI500T1 (Type 1)

LFI300T1, LFI600T1 (Type 2)
