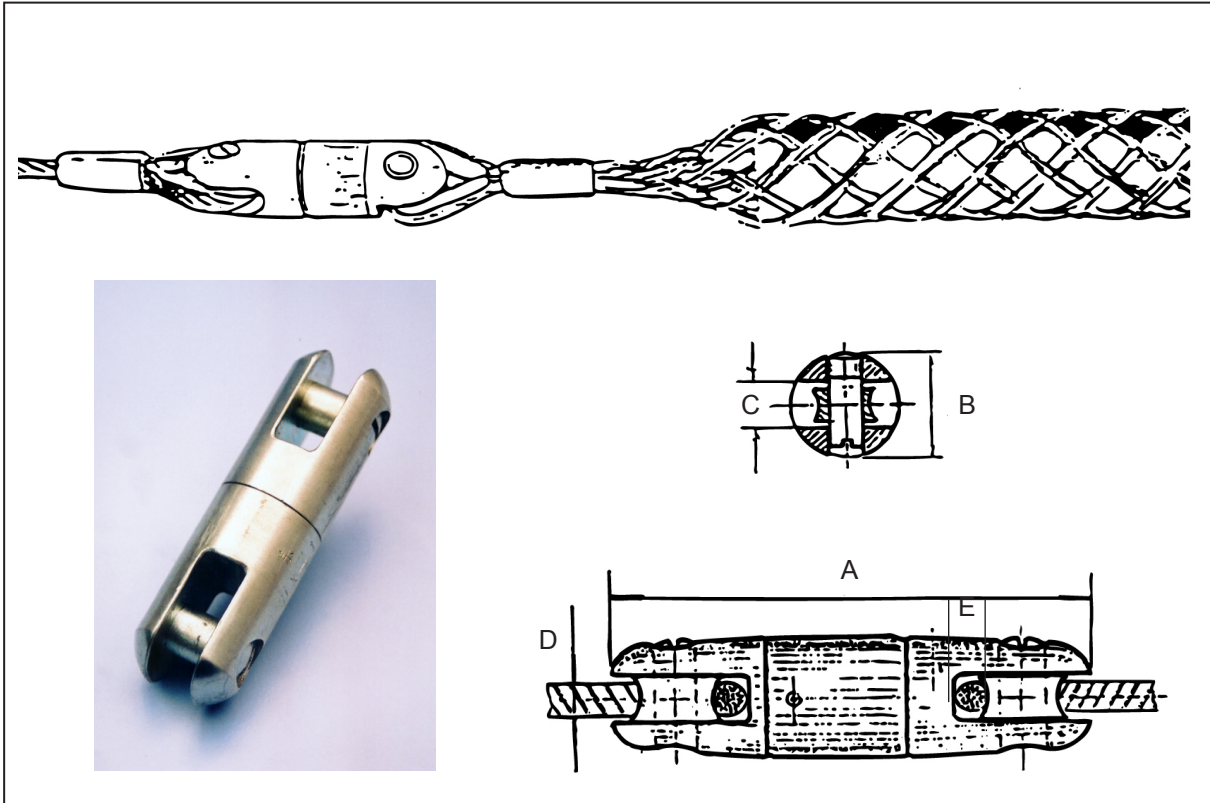




Swivels

Clevis / Clevis Swivels



Description:

High strength plated steel with contoured nose and clevis connection point.

CODE	DIMENSIONS mm					WORKING LOAD LIMIT kN	BREAKING LOAD kN	WEIGHT kg
	A	B	C	D	E			
Swivels Clevis/Clevis Swivels Description: High strength plated steel with contoured nose and roller clevis connection point. Code Dimensions mm Working Load Limit kN Breaking Load kN								

CAUTION: To be used for line stringing or cable pulling only.

NOTE: Swivels are not designed to run around bullwheels.